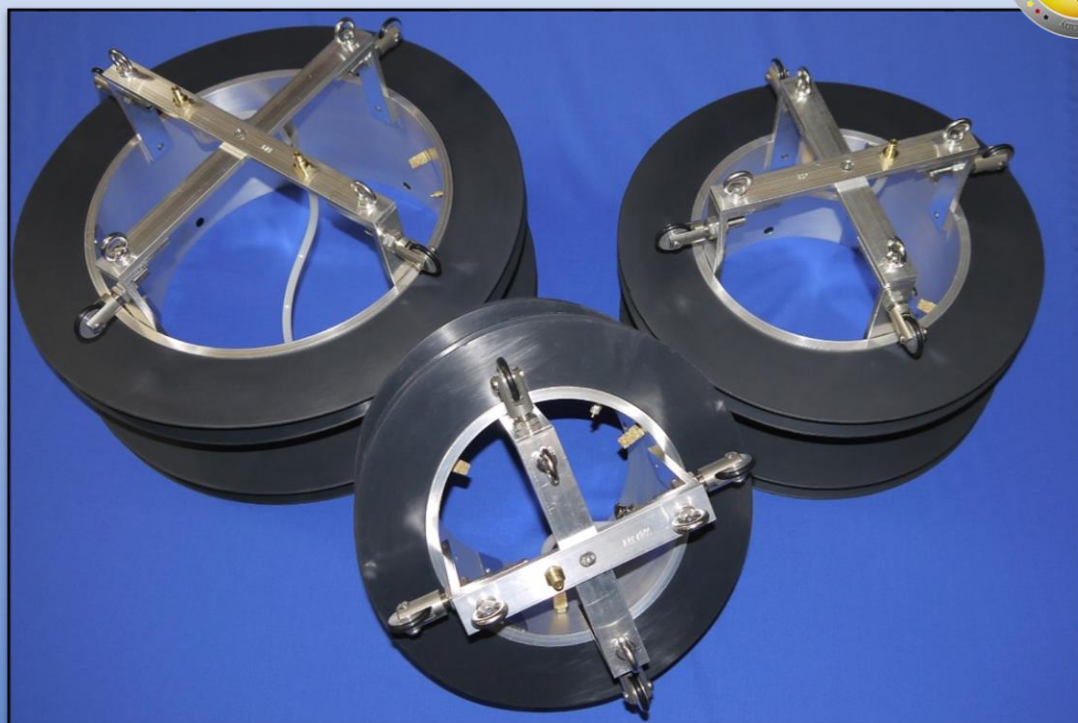
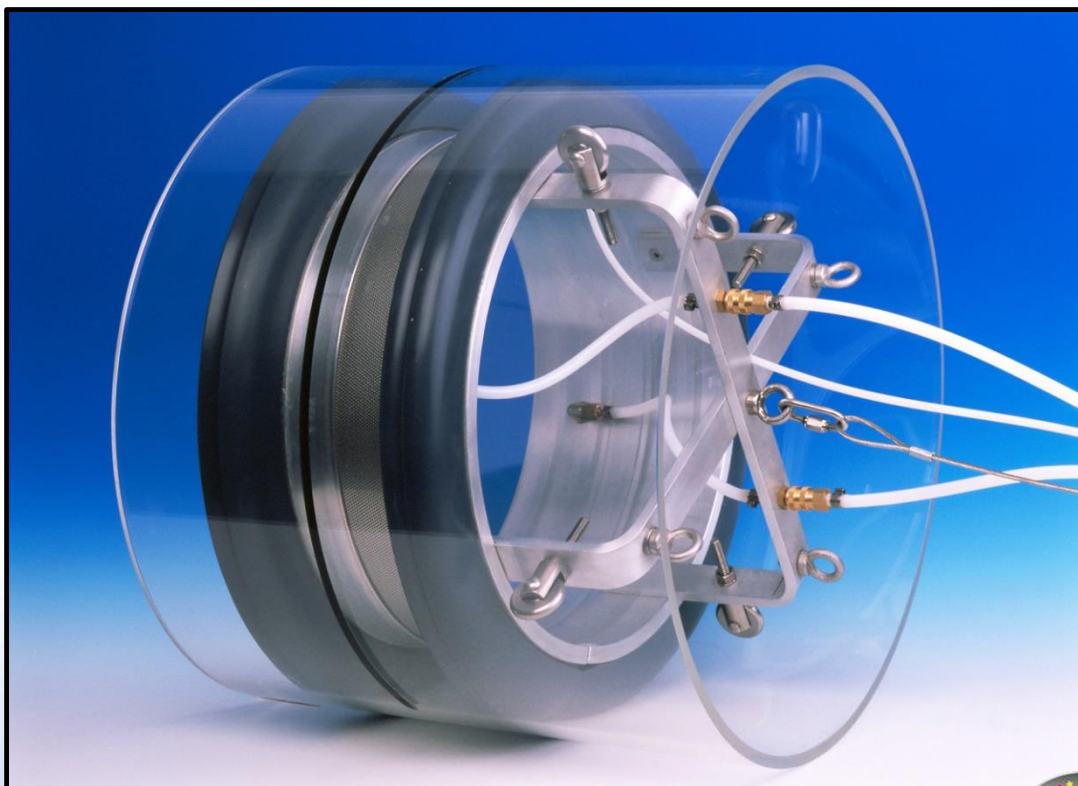
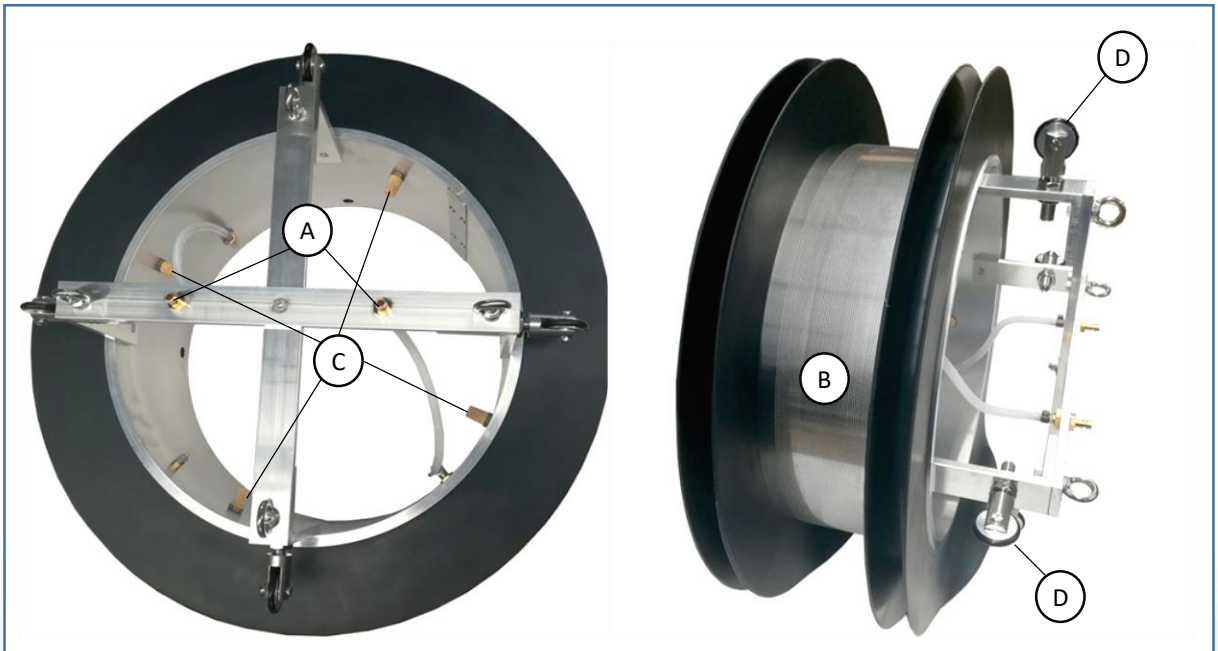


JA – protective gas ring



JA – protective gas ring



Reduces gas consumption by 90% with excellent welding results.

Description:

For forming pipes from \varnothing 300 mm inside.

The protective gas is introduced through the hose connection (A) and distributed via the diffuser (B), the residual oxygen escapes in a controlled manner via the protective gas outlets (C).

The system is positioned in the pipe with the help of two pull ropes.

The rollers (D) prevent drifting away in the pipe bend or pipe, a second walking aid can optionally be installed. The rollers are freely adjustable.

Specialty:

- 2 x 2 sealing lips up to 300 ° C heat-resistant and resistant
- Fixed residual oxygen measuring connection
- Precise fit through made-to-measure production

Material:

Roll holder and diffuser cover: stainless steel

Base body: aluminum

Sealing lips: heat-resistant silicone up to 300 ° C

Hose connection DN5

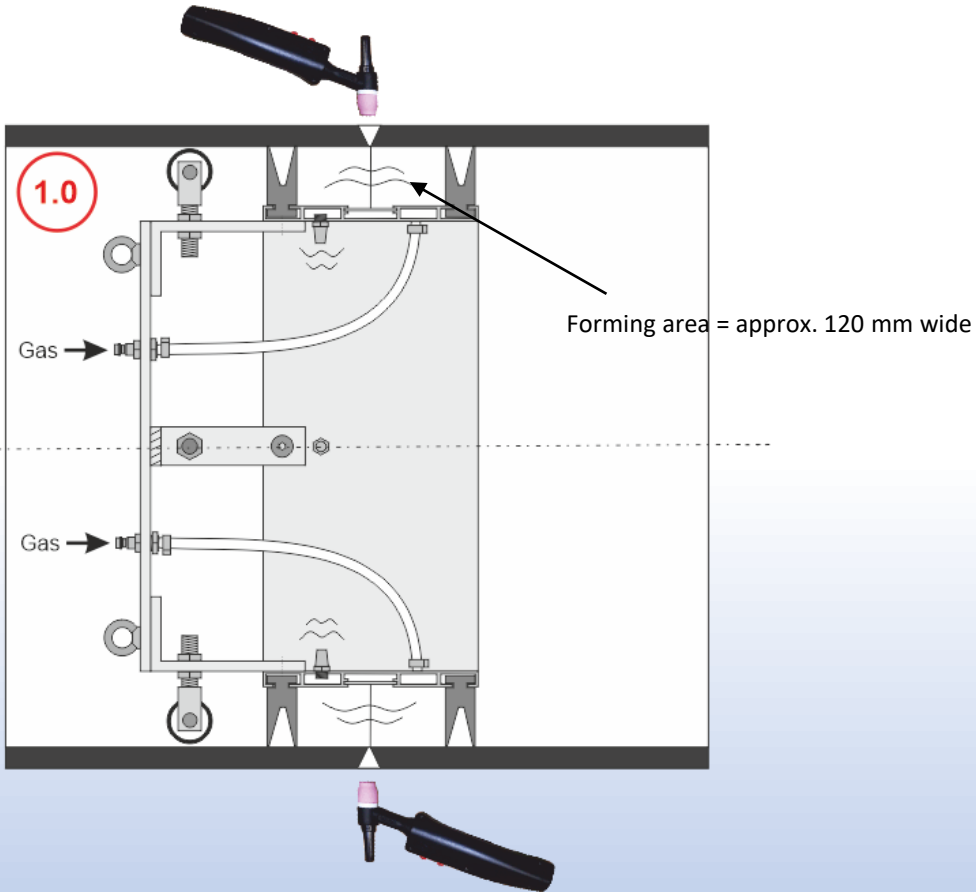
O² measuring connection DN3

Recommendation:

In order to achieve better quality, we recommend masking the welding gap with the "JA - aluminum - masking tape"

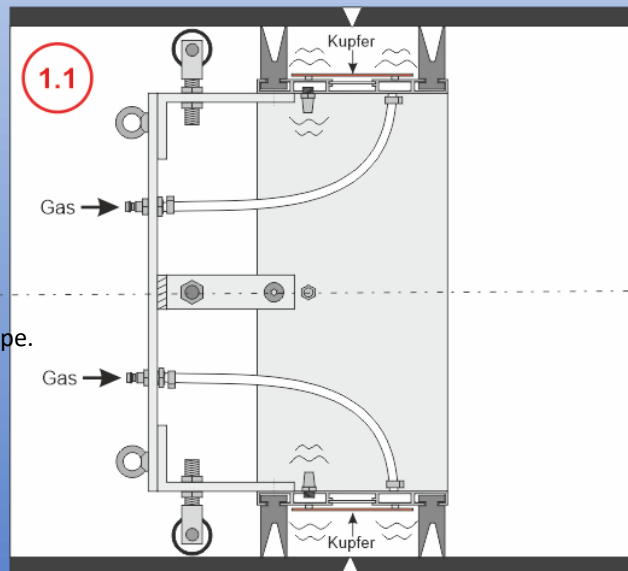
JA – protective gas ring

★ standard protective gas ring



Sonderanfertigung / special model

For plasma welding!



plasma welding

Custom-made products:

Prices and delivery times only on request!
Please specify the exact inside diameter of the pipe.





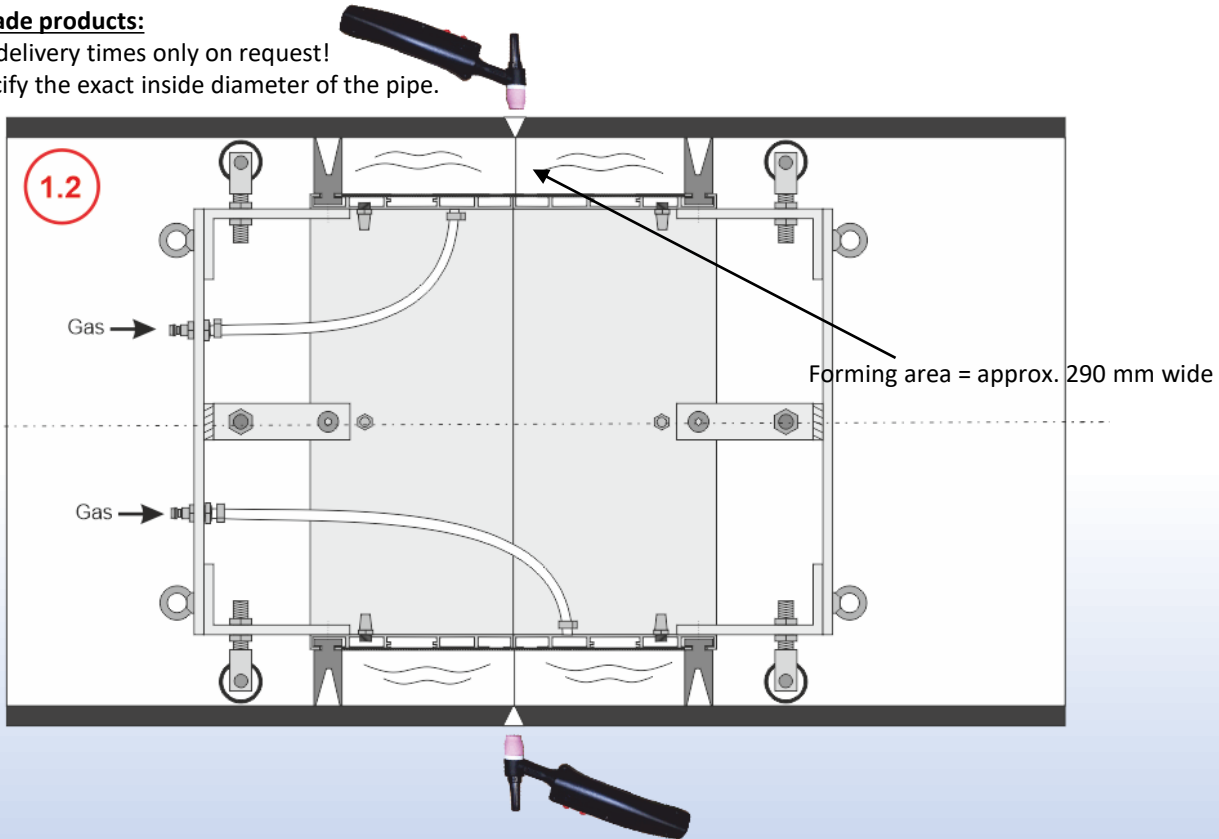
JA – protective gas ring

Sonderanfertigung / special model

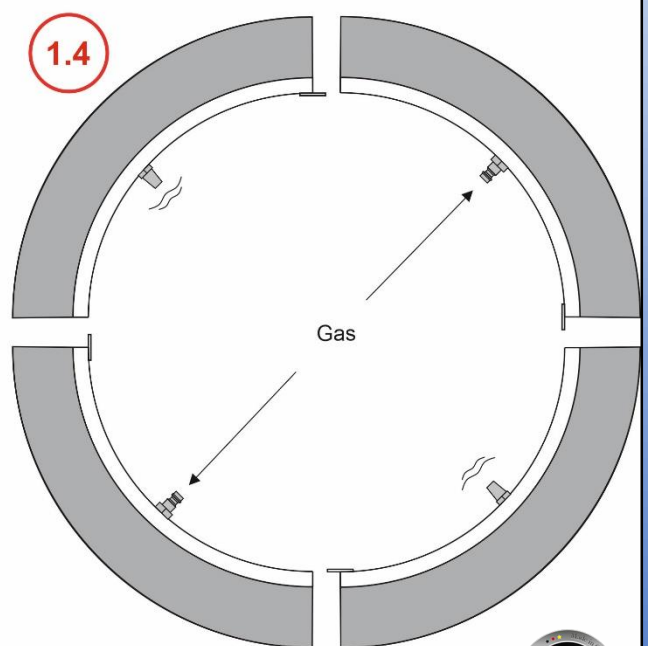
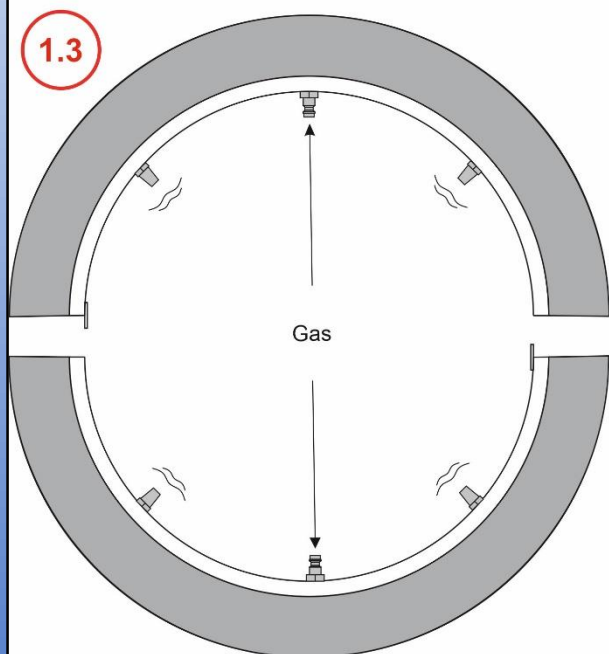
Custom-made products:

Prices and delivery times only on request!

Please specify the exact inside diameter of the pipe.



Sonderanfertigung / special model



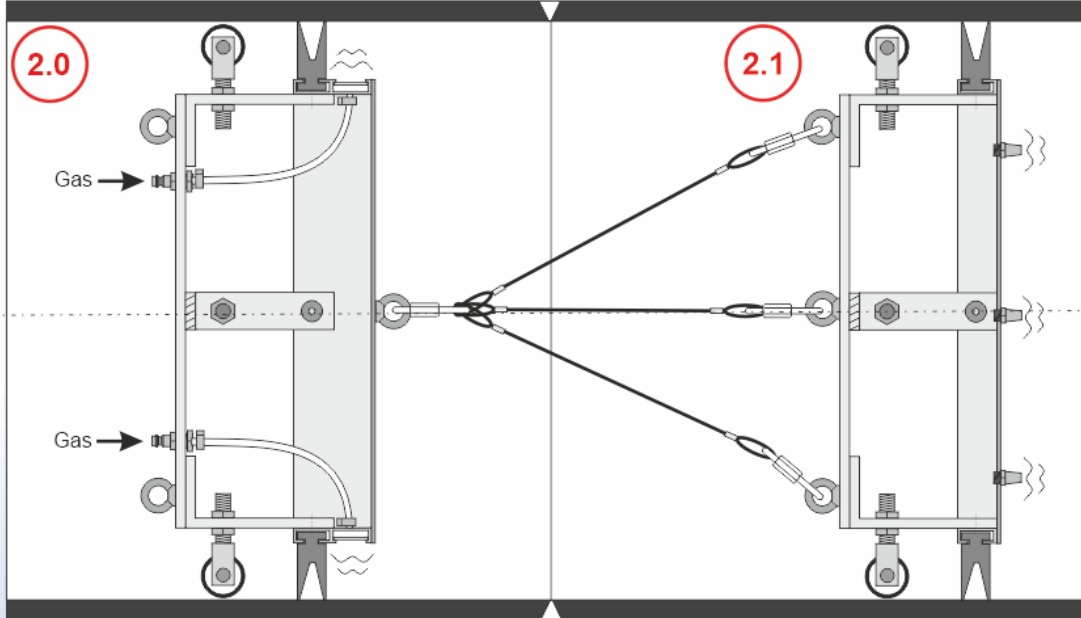
JA – protective gas ring

Sonderanfertigung / special model

Custom-made products:

Prices and delivery times only on request!

Please specify the exact inside diameter of the pipe

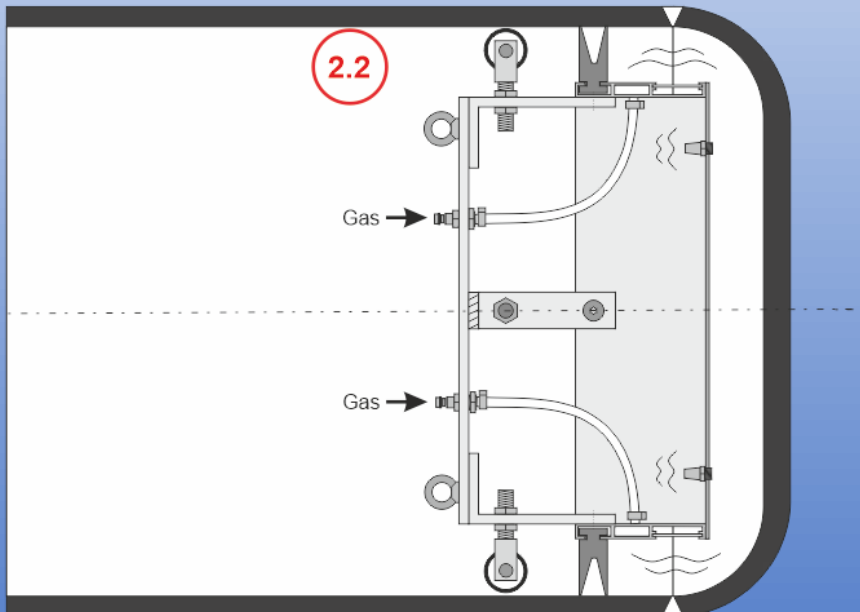


Sonderanfertigung / special model

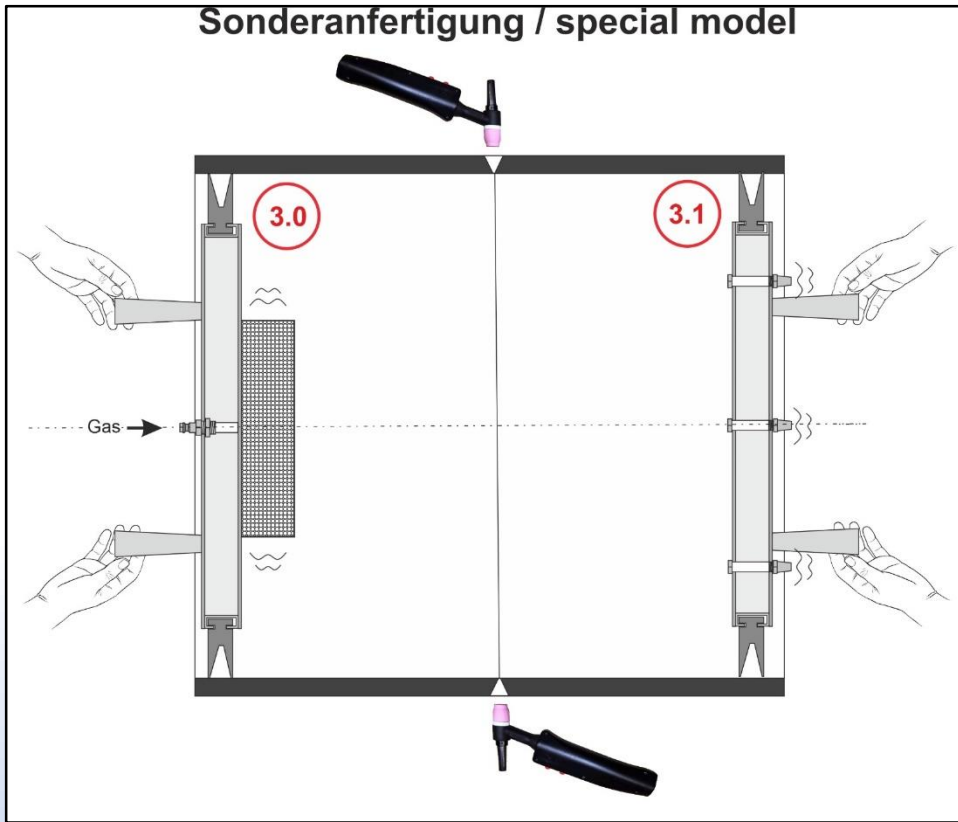
Custom-made products:

Prices and delivery times only on request!

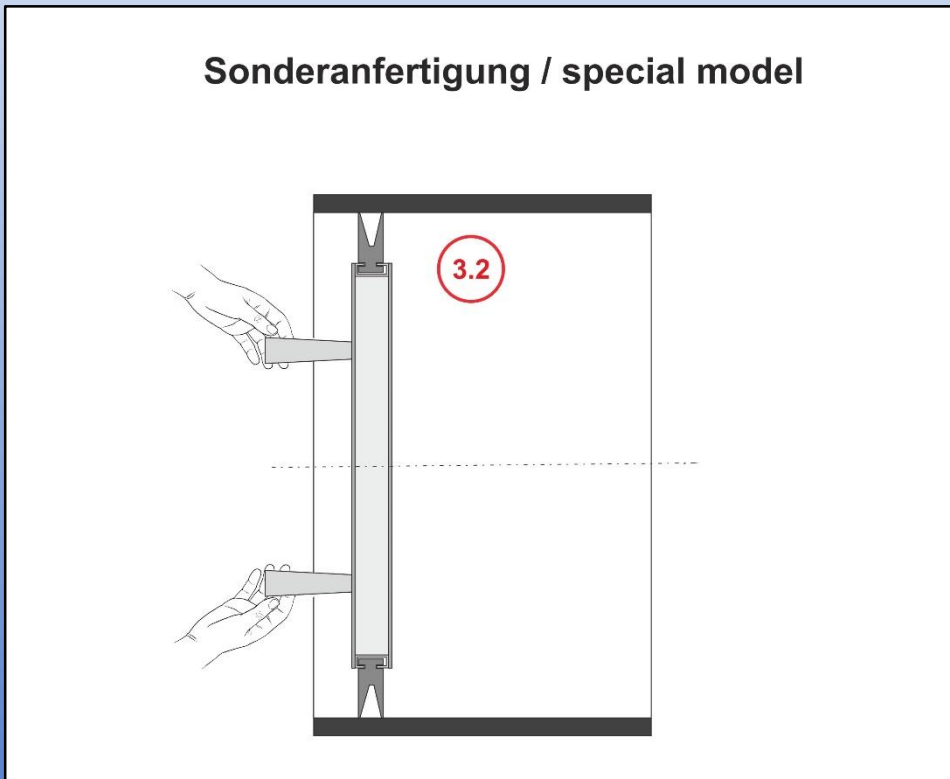
Please specify the exact inside diameter of the pipe



JA – protective gas ring



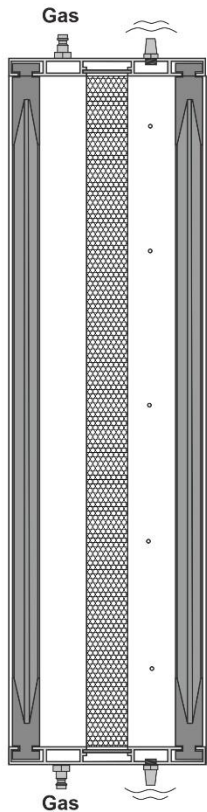
Custom-made products: Prices and delivery times only on request!
Please specify the exact inside diameter of the pipe



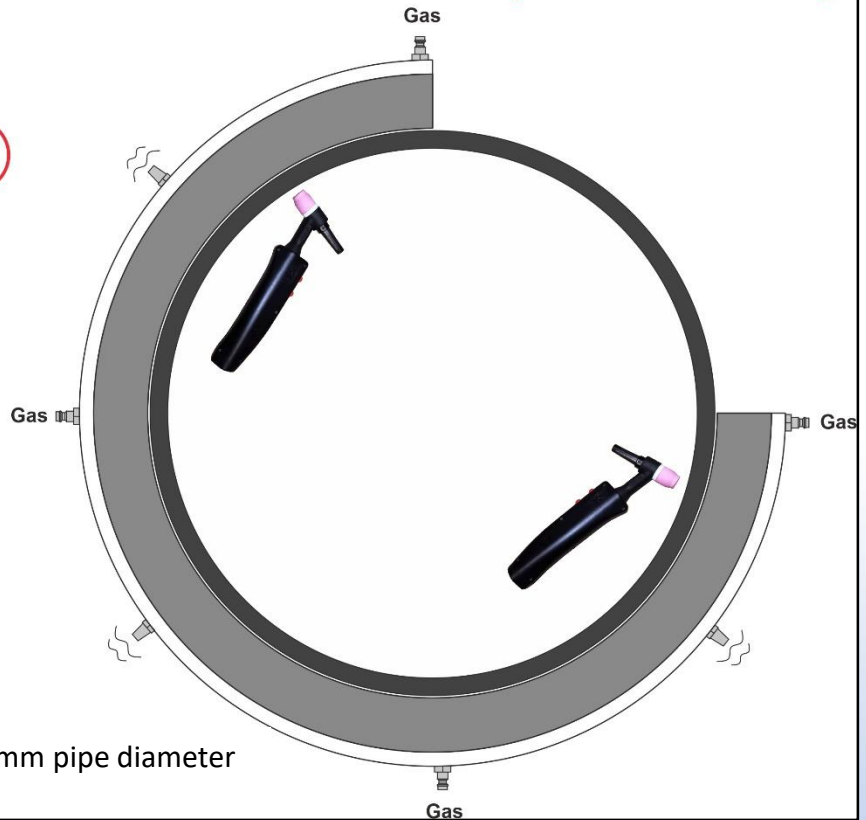
JA – protective gas ring

Sonderanfertigung / special model

JA - Rohr - Außenformierung / Outer Forming



from 2000 mm pipe diameter



This system is specially adapted or manufactured to your needs.

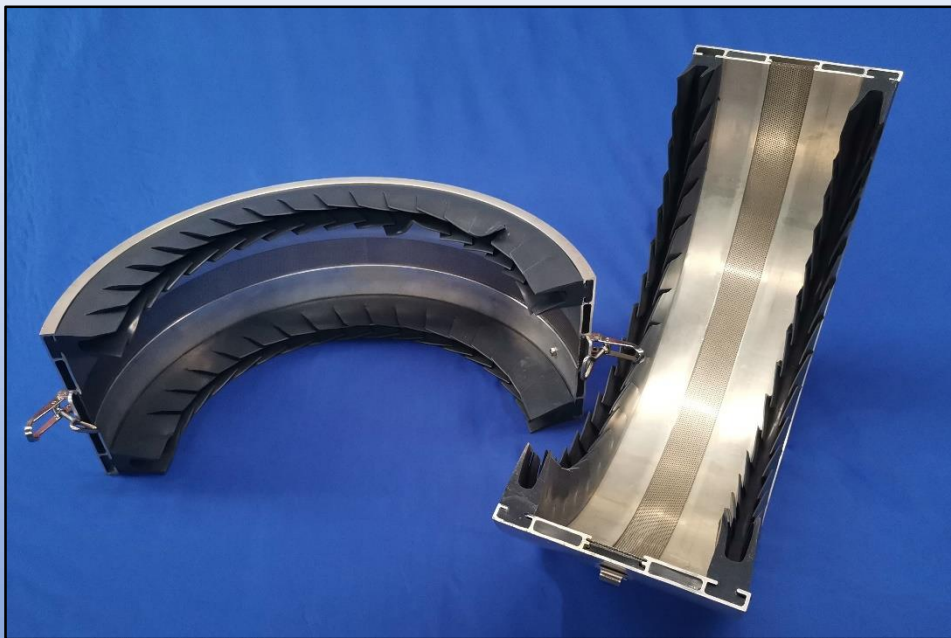
Prices and delivery times only on request!

Please specify the exact outer pipe diameter as well as the division (e.g. 2 or 4 parts).
Scope of delivery: Including 10 m hose connection with standard ¼ "bottle connection



JA - outer pipe formation

From tube \varnothing 400 mm, on request with copper bar (for plasma welding).



This system is specially adapted or manufactured to your needs.

Prices and delivery times only on request!

Please specify the exact outer pipe diameter as well as the division (e.g. 2 or 4 parts).
Scope of delivery: Including 10 m hose connection with standard $\frac{1}{4}$ "bottle connection

JA – protective gas ring

Standard type 1.0

Inklusive einseitiger Laufvorrichtung mit Restsauerstoffmessanschluss

| Item no | item |
|---------|--|
| SR00335 | Inert gas ring for inside pipes Ø 300–320 mm |
| SR00360 | Inert gas ring for inside pipes Ø 320–345 mm |
| SR00390 | Inert gas ring for inside pipes Ø 345–375 mm |
| SR00420 | Inert gas ring for inside pipes Ø 375–405 mm |
| SR00450 | Inert gas ring for inside pipes Ø 405–435 mm |
| SR00475 | Inert gas ring for inside pipes Ø 435–460 mm |
| SR00500 | Inert gas ring for inside pipes Ø 460–485 mm |
| SR00525 | Inert gas ring for inside pipes Ø 485–510 mm |
| SR00545 | Inert gas ring for inside pipes Ø 500–525 mm |
| SR00570 | Inert gas ring for inside pipes Ø 525–550 mm |
| SR00595 | Inert gas ring for inside pipes Ø 550–575 mm |
| SR00620 | Inert gas ring for inside pipes Ø 580–605 mm |
| SR00650 | Inert gas ring for inside pipes Ø 605–630 mm |
| SR00665 | Inert gas ring for inside pipes Ø 620–645 mm |
| SR00720 | Inert gas ring for inside pipes Ø 670–700 mm |
| SR00750 | Inert gas ring for inside pipes Ø 705–735 mm |
| SR00770 | Inert gas ring for inside pipes Ø 735–755 mm |
| SR00790 | Inert gas ring for inside pipes Ø 755–770 mm |
| SR00820 | Inert gas ring for inside pipes Ø 770–800 mm |
| SR00830 | Inert gas ring for inside pipes Ø 780–810 mm |
| SR00900 | Inert gas ring for inside pipes Ø 900 mm |
| SR01000 | Inert gas ring for inside pipes Ø 1000 mm |
| SR01100 | Inert gas ring for inside pipes Ø 1100 mm |



Other sizes are available on request!

Delivery: 10 m pulling device (stainless steel rope) and PA hose with standard R ¼ "bottle connection
(The hose is to be attached to the shielding gas ring with a quick coupling system)



JA – protective gas ring equipment

Sealing elements

For shielding gas rings 2 pcs. needed!

| Item no | unit | item |
|---------|------|---|
| SI00335 | pc | 2-lipped silicone ring, for inner pipe \varnothing 300–320 mm |
| SI00360 | pc | 2-lipped silicone ring, for inner pipe \varnothing 320–345 mm |
| SI00390 | pc | 2-lipped silicone ring, for inner pipe \varnothing 345–375 mm |
| SI00420 | pc | 2-lipped silicone ring, for inner pipe \varnothing 375–405 mm |
| SI00450 | pc | 2-lipped silicone ring, for inner pipe \varnothing 405–435 mm |
| SI00475 | pc | 2-lipped silicone ring, for inner pipe \varnothing 435–460 mm |
| SI00500 | pc | 2-lipped silicone ring, for inner pipe \varnothing 460–485 mm |
| SI00525 | pc | 2-lipped silicone ring, for inner pipe \varnothing 485–510 mm |
| SI00545 | pc | 2-lipped silicone ring, for inner pipe \varnothing 500–525 mm |
| SI00570 | pc | 2-lipped silicone ring, for inner pipe \varnothing 525–550 mm |
| SI00595 | pc | 2-lipped silicone ring, for inner pipe \varnothing 550–575 mm |
| SI00620 | pc | 2-lipped silicone ring, for inner pipe \varnothing 580–605 mm |
| SI00650 | pc | 2-lipped silicone ring, for inner pipe \varnothing 605–630 mm |
| SI00665 | pc | 2-lipped silicone ring, for inner pipe \varnothing 620–645 mm |
| SI00720 | pc | 2-lipped silicone ring, for inner pipe \varnothing 670–700 mm |
| SI00750 | pc | 2-lipped silicone ring, for inner pipe \varnothing 705–735 mm |
| SI00770 | pc | 2-lipped silicone ring, for inner pipe \varnothing 735–755 mm |
| SI00790 | pc | 2-lipped silicone ring, for inner pipe \varnothing 755–770 mm |
| SI00830 | pc | 2-lipped silicone ring, for inner pipe \varnothing 780–810 mm |
| SI01000 | m | Silicone profile for inert gas rings (maximum 20 m) |





Manufacturer



E. Jankus GmbH



industrial supplies and welding technology
Natorper Str. 88
D-59439 Holzwickede
Germany

Tel.: (+49) 02301 120 42/43 - Fax: (+49) 02301 4441

Mail: info@ja-online.de

www.ja-online.de



Please note that we are always improving our products, we reserve the right to make changes without prior notice and are not liable for damage caused by improper use of our products.

