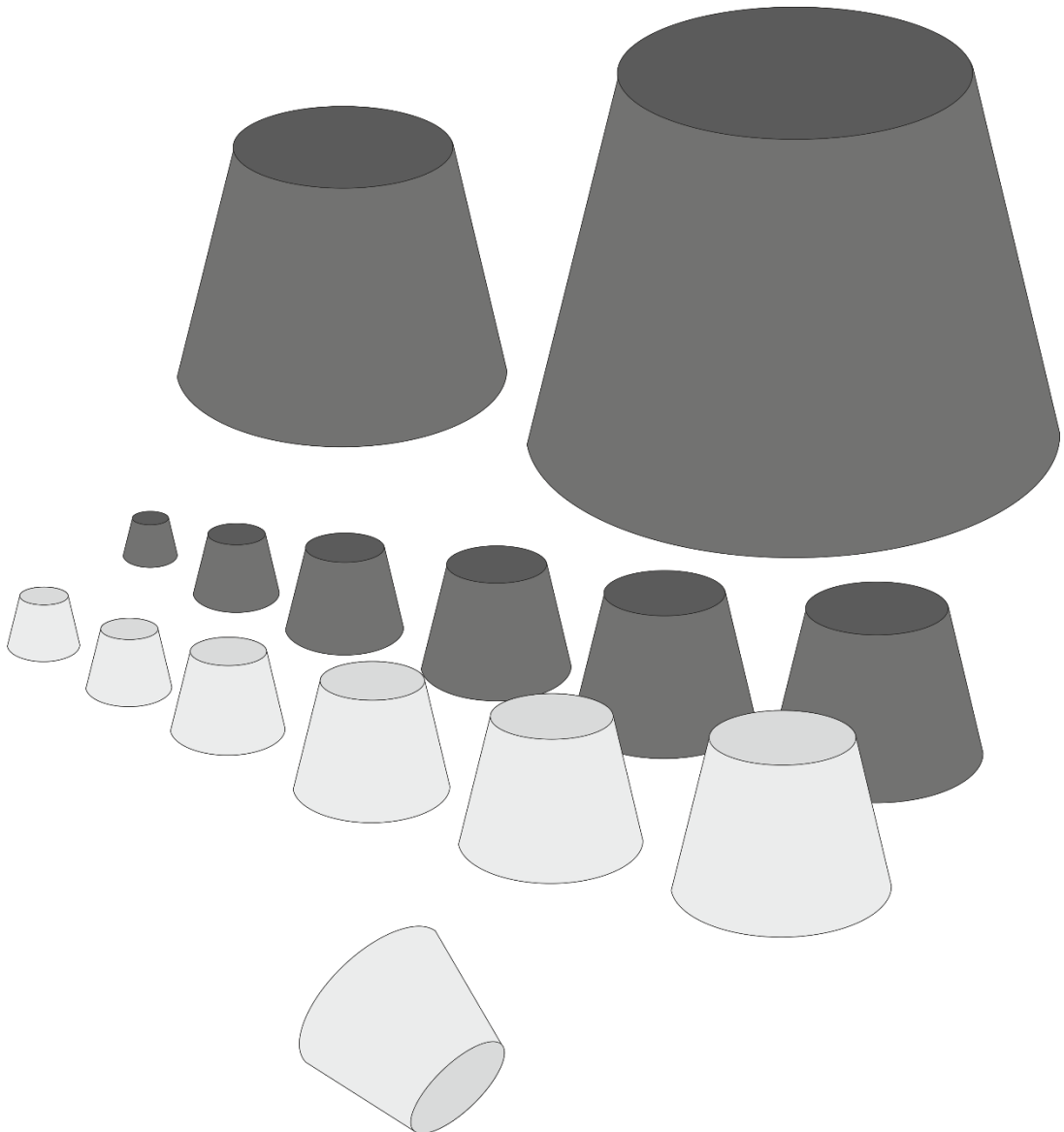


## JA – Pipe Plugs



Made of natural rubber or silicone

### Heat-resistant and hard-wearing

For sealing the pipe ends against contamination during transport and storage, during welding against undesired drafts / chimney effects or during preheating, welding and during heat treatment.



# JA – Pipe Plugs

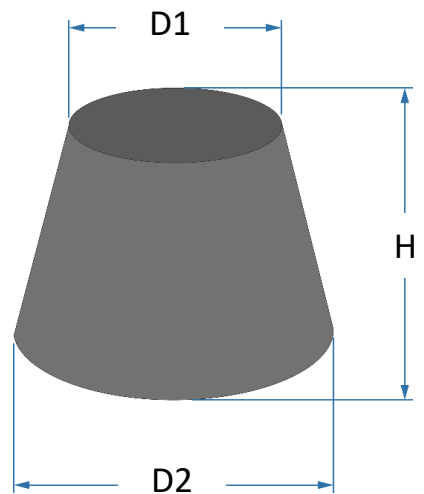


## Made of natural rubber

Temperature resistant from - 20 ° C to 90 ° C.

Hardness: 40 ° Shore Color: gray

Item no.	D1 Ø mm	D2 Ø mm	H mm	for DN	für Zoll Inch	for pipe li Ø/mm
NS003006	3,5	6,5	15			
NS004008	4	8	20			
NS005009	5	9	20			
NS006010	6	10	20			
NS009013	9	13	20	10	3/8	10
NS011015	11	15	20			
NS012516	12,5	16,5	20			
NS014018	14	18	20			
NS016021	16	21	25	15	½	15
NS017023	17	23	30			
NS019024	19	24	25	20	¾	19
NS022027	22	27	25			
NS025031	25	31	30			
NS028035	28	35	35	25	1	29,7
NS031038	31	38	35			
NS034041	34	41	35			
NS036044	36	44	40	32	1 ¼	38,4
NS038045	38	45	35			
NS042049	42	49	35	40	1 ½	44,4
NS046054	46	54	40			
NS050061	50	60	50	50	2	55,7
NS055065	55	65	50	65	2 ½	70,9
NS063073	63	73	50			
NS065075	65	75	55			
NS070090	70	90	50	80	3	83,1
NS078092	78	92	50			
NS085095	85	95	50			
NS087100	87	100	65			
NS095107	95	107	65			
NS095125	95	125	80	100	4	107,9
NS100130	100	130	85			
NS105125	105	125	50			



All pipe plugs are generally supplied without a bore, but can be supplied with a bore on request at an extra charge, provided that the smallest diameter (D1) allows a bore.  
Please indicate the desired diameter of the hole.

**Drilled plugs cannot be exchanged!**



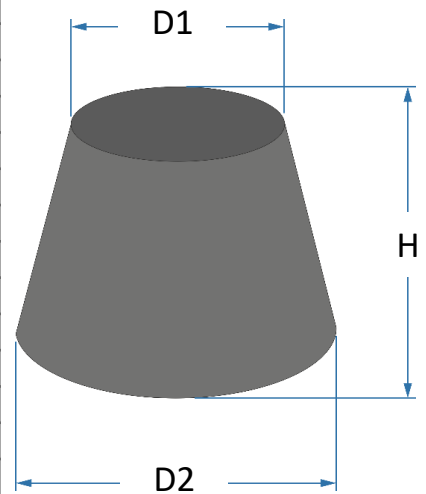
## JA – Pipe Plugs

### Made of silicone

Temperature resistant from - 60 ° C to 260 ° C.

Hardness: 50 ° Shore Color: translucent or black

Item no.	D1 Ø mm	D2 Ø mm	H mm	colour	for DN	for Inch	pipe Li Ø mm
SI004008R	4	8	20	translucent			
SI006010R	6	10	20	translucent			
SI009013R	9	13	20	translucent	10	3/8	10
SI011015R	11	15	20	translucent			
SI014018R	14	18	20	translucent	15	½	15
SI017022R	17	22	25	translucent			
SI019024R	19	24	25	translucent	20	¾	22,9
SI022027K	22	27	25	black			
SI024032K	24	32	30	black			
SI027034K	27	34	30	black	25	1	29,7
SI032038K	32	38	30	black			
SI034040K	34	40	30	black	32	1 ¼	38,4
SI038046K	38	46	35	black			
SI040050K	40	50	40	black	40	1 ½	44,4
SI046055K	46	55	40	black			
SI050060K	50	60	45	black	50	2	55,7
SI055066G	55	66	45	black			
SI060073G	60	73	50	black			
SI066080G	66	80	60	black	65	2 ½	70,9
SI073087G	73	87	60	black	80	3	83,1
SI080093G	80	93	60	black			
SI087105G	87	105	72	black			
SI093115G	93	115	90	black	100	4	107,9
SI110130G	110	130	90	black			
SI120170G	120	170	130	black	125-150	5-6	132,5-160,3

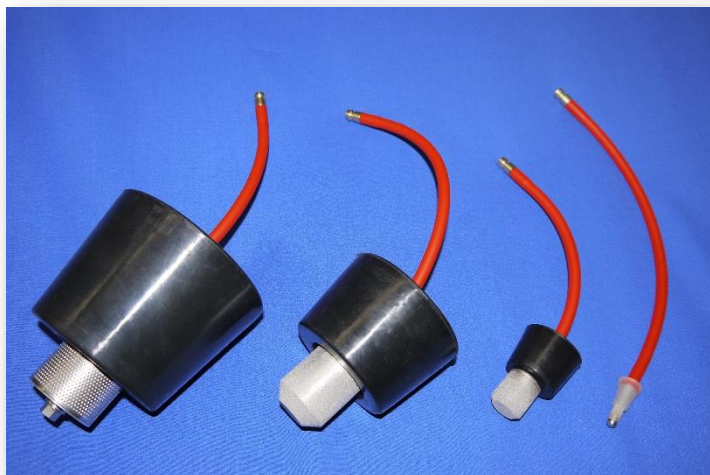


All pipe plugs are generally supplied without a bore, but can be supplied with a bore on request at an extra charge, provided that the smallest diameter (D1) allows a bore.  
Please indicate the desired diameter of the hole.

**Drilled plugs cannot be exchanged!**



## Forming with pipe plugs



# Forming with pipe plugs

image 1.0

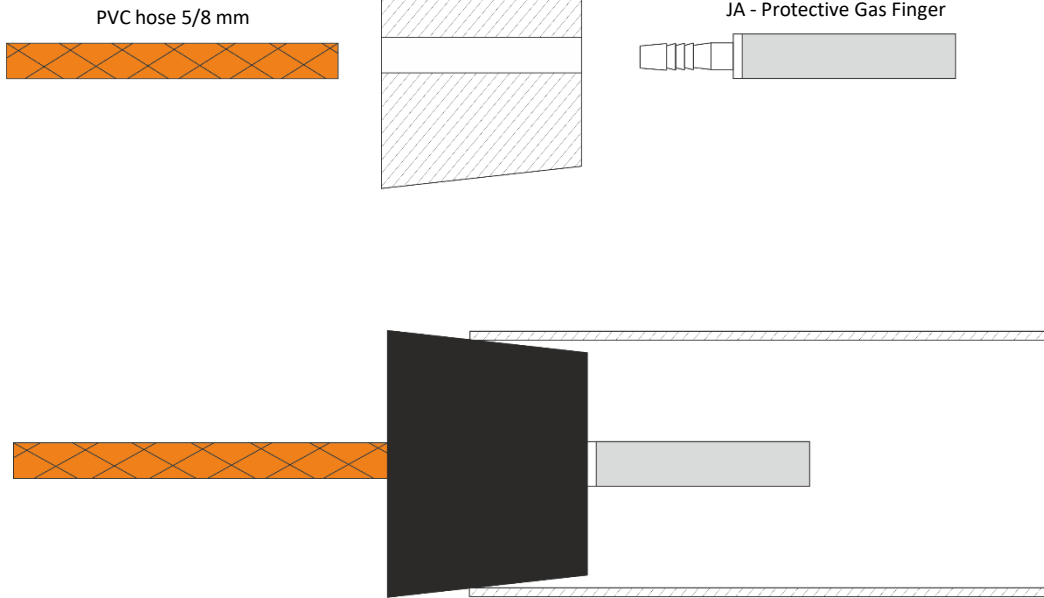
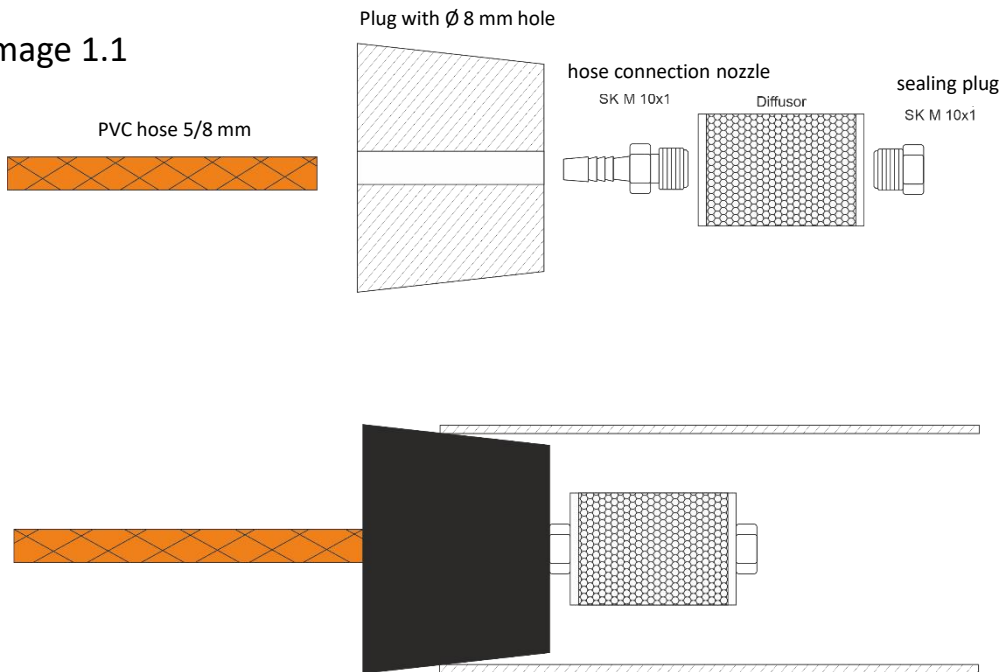


image 1.1



**Forming with pipe plugs is not a substitute for our forming gas systems, but only a makeshift solution!**



- High gas consumption
- may not be a complete evacuation of oxygen
- bad positioning

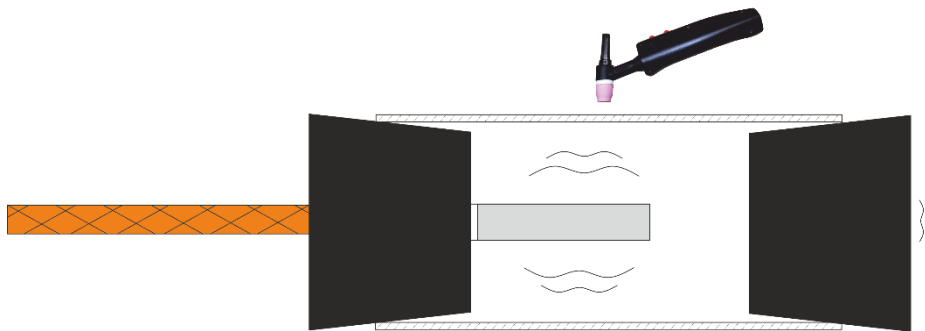
# Forming with pipe plugs

## Pipe plug systems consisting of:

2 pipe plugs with bore, gas supply (diffuser / SG finger)  
10 m PVC hose and hose connection set R ¼ "

### Natural Rubber

item no	DN	Inch	pipe inside	je 2 x Rohrstopfen			Bohrung		Gas in	image	
				D1	D2	H	Plug 1	Plug 2			
F-2N009013	10	3/8	10,0 mm	9 mm	13 mm	20 mm	Ø 4 mm	Ø 6 mm	SG-Finger	Ø 6 x 30 mm	-
F-2N016021	15	1/2	17,3 mm	16 mm	21 mm	25 mm	Ø 6 mm	Ø 8 mm	SG-Finger	Ø 10 x 25 mm	1.0
F-2N019024	20	3/4	22,9 mm	19 mm	24 mm	25 mm	Ø 6 mm	Ø 8 mm	SG-Finger	Ø 10 x 25 mm	1.0
F-2N028035	25	1	29,7 mm	28 mm	35 mm	35 mm	Ø 6 mm	Ø 8 mm	SG-Finger	Ø 10 x 25 mm	1.0
F-2N036044	32	1 1/4	38,4 mm	36 mm	44 mm	40 mm	Ø 6 mm	Ø 8 mm	SG-Finger	Ø 10 x 25 mm	1.0
F-2N042049	40	1 1/2	44,4 mm	42 mm	49 mm	35 mm	Ø 6 mm	Ø 8 mm	SG-Finger	Ø 10 x 25 mm	1.0
F-2N050061	50	2	55,7 mm	50 mm	60 mm	50 mm	Ø 6 mm	Ø 8 mm	SG-Finger	Ø 22 x 50 mm	1.0
F-2N065075	65	2 1/2	70,9 mm	65 mm	75 mm	55 mm	Ø 6 mm	Ø 8 mm	SG-Finger	Ø 22 x 50 mm	1.0
F-2N070090	80	3	83,1 mm	70 mm	90 mm	50 mm	Ø 6 mm	Ø 8 mm	SG-Finger	Ø 22 x 50 mm	1.0
F-2N095125	100	4	107,9 mm	95 mm	125 mm	80 mm	Ø 6 mm	Ø 8 mm	SG-Finger	Ø 36 x 50 mm	1.0



### Silicon

Item no	DN	Inch	pipe inside	je 2 x Rohrstopfen			Bohrung		Gas in	image	
				D1	D2	H	Plug 1	Plug 2			
F-2S009013	10	3/8	10,0 mm	9 mm	13 mm	20 mm	Ø 4 mm	Ø 6 mm	SG-Finger	Ø 6 x 30 mm	-
F-2S014018	15	1/2	17,3 mm	14 mm	18 mm	20 mm	Ø 6 mm	Ø 8 mm	SG-Finger	Ø 10 x 25 mm	1.0
F-2S019024	20	3/4	22,9 mm	19 mm	24 mm	25 mm	Ø 6 mm	Ø 8 mm	SG-Finger	Ø 10 x 25 mm	1.0
F-2S027034	25	1	29,7 mm	27 mm	34 mm	30 mm	Ø 6 mm	Ø 8 mm	SG-Finger	Ø 10 x 25 mm	1.0
F-2S034040	32	1 1/4	38,4 mm	34 mm	40 mm	30 mm	Ø 6 mm	Ø 8 mm	SG-Finger	Ø 10 x 25 mm	1.0
F-2S040050	40	1 1/2	44,4 mm	40 mm	50 mm	40 mm	Ø 6 mm	Ø 8 mm	SG-Finger	Ø 10 x 25 mm	1.0
F-2S050060	50	2	55,7 mm	50 mm	60 mm	45 mm	Ø 6 mm	Ø 8 mm	SG-Finger	Ø 22 x 50 mm	1.0
F-2S066080	65	2 1/2	70,9 mm	66 mm	80 mm	60 mm	Ø 6 mm	Ø 8 mm	SG-Finger	Ø 22 x 50 mm	1.0
F-2S073087	80	3	83,1 mm	73 mm	87 mm	60 mm	Ø 6 mm	Ø 8 mm	SG-Finger	Ø 22 x 50 mm	1.0
F-2S093115	100	4	107,9 mm	93 mm	115 mm	90 mm	Ø 6 mm	Ø 8 mm	SG-Finger	Ø 36 x 50 mm	1.0
D-2S120170	125	5	132,5 mm	120 mm	170 mm	130 mm	Ø 6 mm	Ø 8 mm	Diffusor	Ø 75 x 100 mm	1.1
D-2S120170	150	6	160,3 mm	120 mm	170 mm	130 mm	Ø 6 mm	Ø 8 mm	Diffusor	Ø 75 x 100 mm	1.1



## Basic equipment pipe plug system DN 10 - DN 100



with 1 stopper per dimension! ←

Pipe plugs made of silicone (temperature resistance from - 60 ° C to 260 ° C / hardness: 50 ° Shore)  
 Ø 9 mm to Ø 110 mm (3/8 " - 4"); in case (complete)

pc	unit	Item no	items
1,00	pc	SI009013R	Silicone pipe plugs 9/13/20 mm; transparent
1,00	pc	Bohrung6	6 mm Drilling the pipe plug
1,00	pc	SI014018R	Silicone pipe plugs 14/18/20 mm; transparent
1,00	pc	SI017022R	Silicone pipe plugs 17/22/25 mm; transparent
1,00	pc	SI019024R	Silicone pipe plugs 19/24/25 mm; transparent
1,00	pc	SI027034K	Silicone pipe plugs 27/34/30 mm; black
1,00	pc	SI034040K	Silicone pipe plugs 34/40/30 mm; black
1,00	pc	SI038046K	Silicone pipe plugs 38/46/35 mm; black
1,00	pc	SI050060K	Silicone pipe plugs 50/60/45 mm; black
1,00	pc	SI066080G	Silicone pipe plugs 66/80/60 mm; black
1,00	pc	SI073087G	Silicone pipe plugs 73/87/60 mm; black
1,00	pc	SI093115G	Silicone pipe plugs 93/115/90 mm; black
10,00	pc	Bohrung8	8 mm Drilling the pipe plug (Change possible!)
1,00	pc	50006300	PG-Finger Ø 6 mm x 30.0 mm long
1,00	pc	50010250	PG-Finger Ø 10 mm x 25.0 mm long
1,00	pc	50022250	PG-Finger Ø 22 mm x 25.0 mm long
1,00	pc	50036500G	PG-Finger Ø 36 mm x 50 mm long;thread M7
1,00	pc	50044406	Stainless Steel-protective-gas-Diffusor Ø 44 x 40 mm
1,00	pc	50000035A	Hose connection socket with outer thread M10x1
1,00	pc	50000030	Seal plug M 10 x 1 outer thread
10,00	m	50000021	2-ply PVC-hose Ø 5 x 8 mm; red
1,00	pc	50000036	Hose connection Set 1/4" R
1,00	pc		Aluminium tape 50 mm x 25 m lg,
1,00	pc	90000101	JA gas indicator 0 – 50 Liter /Min.
1,00	pc	J0412602	JA – suitcase

Art.-Nr. J0200010



## Basic equipment pipe plug system DN 10 - DN 100



Pipe plugs made of silicone (temperature resistance from - 60 ° C to 260 ° C / hardness: 50 ° Shore)  
 Ø 9 mm to Ø 110 mm (3/8 " - 4"); in case (complete)

pc	unit	Item no	items
2,00	pc	SI009013R	Silicone pipe plugs 9/13/20 mm; transparent
2,00	pc	Bohrung6	6 mm Drilling the pipe plug
2,00	pc	SI014018R	Silicone pipe plugs 14/18/20 mm; transparent
2,00	pc	SI017022R	Silicone pipe plugs 17/22/25 mm; transparent
2,00	pc	SI019024R	Silicone pipe plugs 19/24/25 mm; transparent
2,00	pc	SI027034K	Silicone pipe plugs 27/34/30 mm; black
2,00	pc	SI034040K	Silicone pipe plugs 34/40/30 mm; black
2,00	pc	SI038046K	Silicone pipe plugs 38/46/35 mm; black
2,00	pc	SI050060K	Silicone pipe plugs 50/60/45 mm; black
2,00	pc	SI066080G	Silicone pipe plugs 66/80/60 mm; black
2,00	pc	SI073087G	Silicone pipe plugs 73/87/60 mm; black
2,00	pc	SI093115G	Silicone pipe plugs 93/115/90 mm; black
20,00	pc	Bohrung8	8 mm Drilling the pipe plug (Change possible!)
1,00	pc	50006300	PG-Finger Ø 6 mm x 30.0 mm long
1,00	pc	50010250	PG-Finger Ø 10 mm x 25.0 mm long
1,00	pc	50022250	PG-Finger Ø 22 mm x 25.0 mm long
1,00	pc	50036500G	PG-Finger Ø 36 mm x 50 mm long;thread M7
1,00	pc	50044406	Stainless Steel-protective-gas-Diffusor Ø 44 x 40 mm
1,00	pc	50000035A	Hose connection socket with outer thread M10x1
1,00	pc	50000030	Seal plug M 10 x 1 outer thread
10,00	m	50000021	2-ply PVC-hose Ø 5 x 8 mm; red
1,00	pc	50000036	Hose connection Set 1/4" R
1,00	pc		Aluminium tape 50 mm x 25 m lg.
1,00	pc	90000101	JA gas indicator 0 – 50 Liter /Min.
1,00	pc	J0412602	JA - suitcase

Art.-Nr. J0200010-2

# equipment



Item no	items	Pos
50044406	Stainless Steel-protective-gas-Diffusor $\varnothing$ 44 x 40 mm	1
50060406	Stainless Steel-protective-gas-Diffusor $\varnothing$ 60 x 40 mm	1
50060606	Stainless Steel-protective-gas-Diffusor $\varnothing$ 60 x 60 mm	1
50075606	Stainless Steel-protective-gas-Diffusor $\varnothing$ 75 x 60 mm	1
50075106	Stainless Steel-protective-gas-Diffusor $\varnothing$ 75 x 100 mm	1
50100106	Stainless Steel-protective-gas-Diffusor $\varnothing$ 100 x 100 mm	1
50150106	Stainless Steel-protective-gas-Diffusor $\varnothing$ 150 x 100 mm	1
50000021	2-ply PVC-hose $\varnothing$ 5 x 8 mm; red	2
50000036	Hose connection Set 1/4" R	3
50000038	Hose rotary feedthrough DN5	4
50000035A	Hose connection socket with outer thread M10x1	5
50000030	Seal plug M 10 x 1 outer thread	6
50000024	Complete coupling DN5 (brass) with gas closing	7
50000025	Mouthpiece for hose, DN 5 (brass)	8
50000026	Nut G 1/4" R with mouthpiece DN5 (brass)	9
50000027	Nut G 3/8" L with mouthpiece DN5 (brass)	10
1034	Power connection for monocable	11
50000023	Stainless steel hose clip $\varnothing$ 10,0 mm	12
50006300	PG-Finger $\varnothing$ 6 mm x 30.0 mm long	13
50010125	PG-Finger $\varnothing$ 10 mm x 12.5 mm long	14
50010250	PG-Finger $\varnothing$ 10 mm x 25.0 mm long	14
50010500	PG-Finger $\varnothing$ 10 mm x 50.0 mm long	14
50022250	PG-Finger $\varnothing$ 22 mm x 25.0 mm long	15
50022500	PG-Finger $\varnothing$ 22 mm x 50.0 mm long	15
50036500G	PG-Finger $\varnothing$ 36 mm x 50 mm long;thread M7	16



*JA – inert gas systems*

**Manufacturer**

*Industrial supplies and welding technology*

**E. Jankus GmbH**

*Natorper Str. 88  
D-59439 Holzwickede  
Germany*

Tel.: (+49) 02301 120 42/43 - Fax: (+49) 02301 4441

Mail: [info@ja-online.de](mailto:info@ja-online.de)

[www.ja-online.de](http://www.ja-online.de)



Please note that we are constantly improving our products, we reserve the right to make changes without prior notice and are not liable for damage caused by improper use of our products.

